



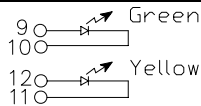
## DUAL RJ45 CONNECTOR WITH LEDS

P/N: J4A121000

### Feature

- 350μH minimum OCL with 8mA bias current.
- RoHS compliant.
- Recommended panel

| Part Number | 9,10 (Left Led) | 11,12 (Right Led) |
|-------------|-----------------|-------------------|
| 2           | Green           | Yellow            |



### RJ45 Durability Testing Rating & Material Specification

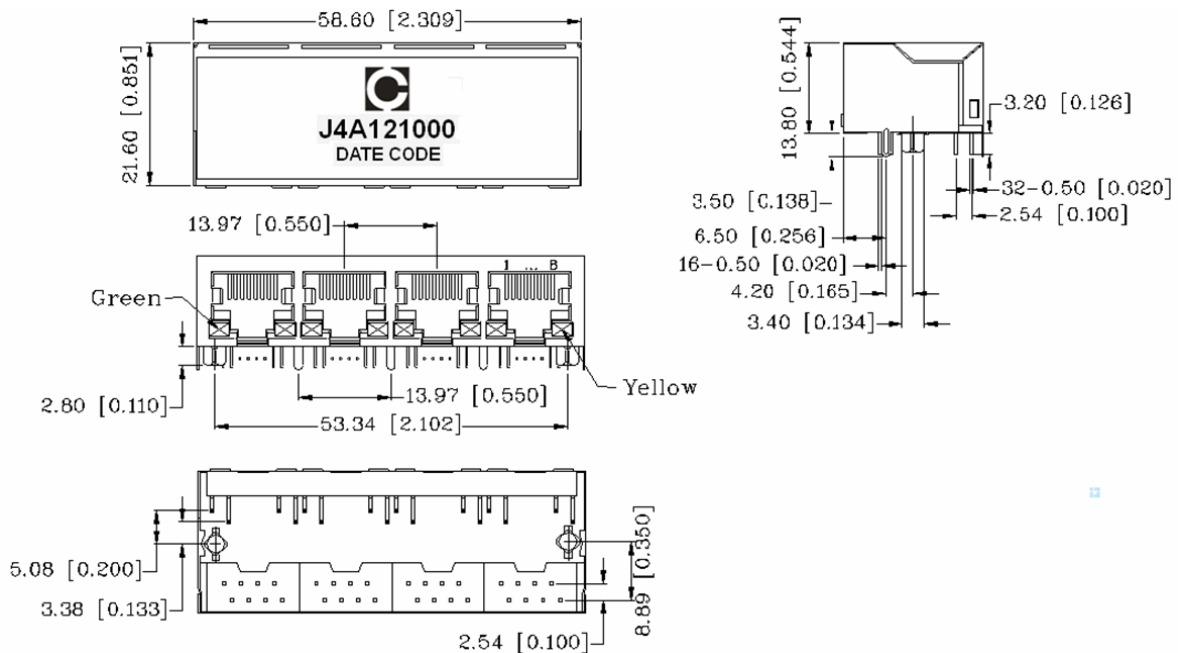
| Part Number | Durability     | Mating Force      | Shield   |   |
|-------------|----------------|-------------------|----------|---|
|             |                |                   | Material | Finish  |
| J4A121000   | 750 Insertions | 5 lbs./2.268 kgs. | Brass    | 10-20m inches Nickel over 10-20m inches Brass |

### RJ45 Material Specification

| Part Number | Contact        |   | Housing       |               |
|-------------|----------------|---|---------------|---------------|
|             | Material       | Plating Area  | Material      | Specification |
| J4A121000   | Phosphor Brass | 10-20m inches Nickel over selective gold plating 6 μ inches | Thermoplastic | UL 94 V-0     |

Operating temperature range: 0°C to +70°C. Storage temperature range: -25°C to +125°C.

### Mechanical



Tolerance: ±0.25 (0.010) unless specified otherwise.

Tel:+86-20-81628973

Fax:+86-20-81628967

E-mail:sales@ceetus.com.cn

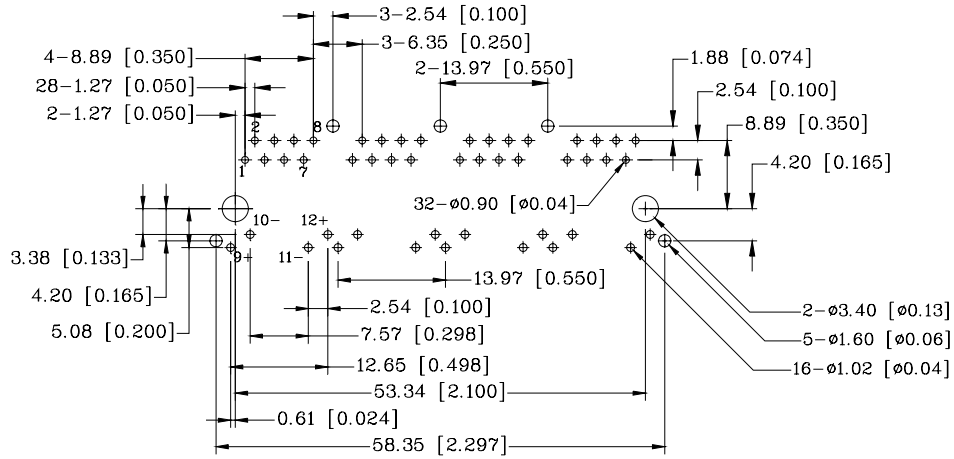
Website:www.ceetus.com.cn



## DUAL RJ45 CONNECTOR WITH LEDS

**P/N: J4A121000**

### PCB Layout Mounting Hole (Top View)



**NOTE:**

Datasheet Change History:

| V0 | 2007/May. | Datasheet Set Up |
|----|-----------|------------------|
|    |           |                  |
|    |           |                  |
|    |           |                  |
|    |           |                  |

Tel:+86-20-81628973

Fax:+86-20-81628967

E-mail:sales@ceetus.com.cn

Website:www.ceetus.com.cn