



SINGLE RJ45 CONNECTOR

P/N:J1B600000

Feature

- RJ-45 version meets Category 5 for Fast Ethernet.
- Enhanced grounding tabs on shield.
- Electrical Voltage: 125V.
- Current: 1.5A max.
- Housing: Black glass-filled, high-temperature nylon.
- RoHS compliant.

RJ45 Durability Testing Rating & Material Specification

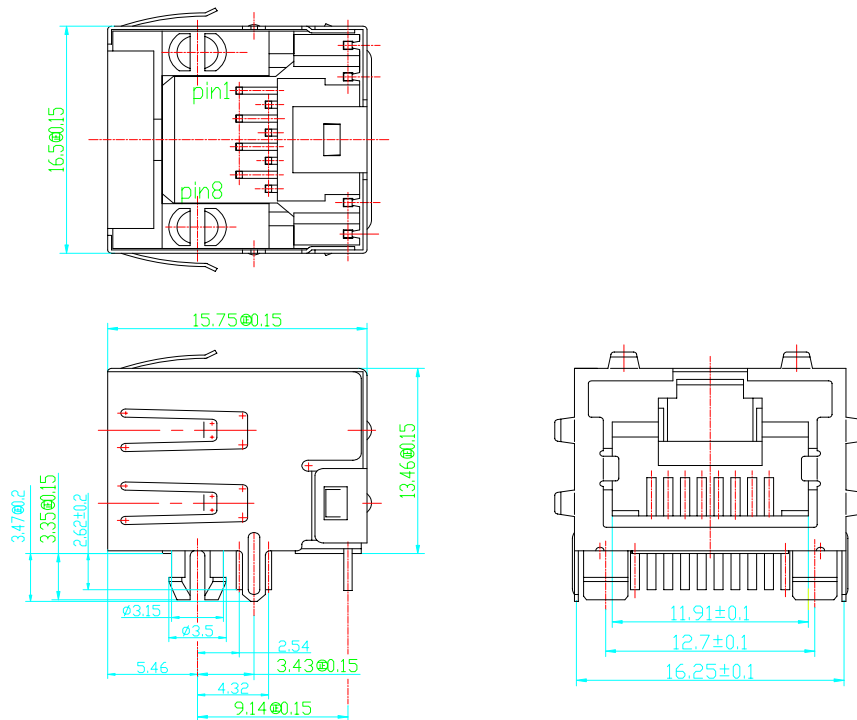
Part Number	Durability	Mating Force	Shield	
			Material	Finish
J1B600000	750 Insertions	5 lbs./2.268 kgs.	Brass	10-20m inches Nickel over 10-20m inches Brass

RJ45 Material Specification

Part Number	Contact		Housing	
	Material	Plating Area	Material	Specification
J1B600000	Phosphor Brass	10-20m inches Nickel over selective gold plating Fμ inches	Thermoplastic	UL 94 V-0

* Operating temperature range: -40°C to +85°C. Storage temperature range: -40°C to +125°C.

Mechanical



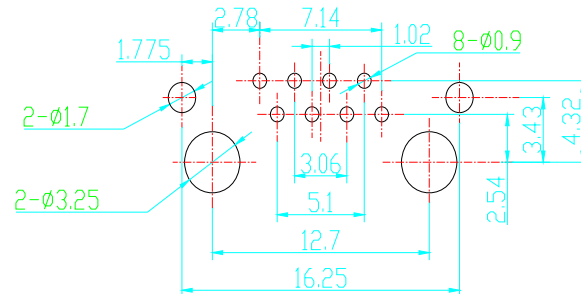
Tel:+86-20-81628973	Fax:+86-20-81628967
E-mail:sales@ceetus.com.cn	Website:www.ceetus.com.cn



SINGLE RJ45 CONNECTOR

P/N:J1B600000

PCB Layout Mounting Hole (Top View)



Tolerance: ± 0.25 (0.010) unless specified otherwise.

NOTE:

Datasheet Change History:

V0	2007/May.	Datasheet Set Up

Tel:+86-20-81628973	Fax:+86-20-81628967
E-mail:sales@ceetus.com.cn	Website:www.ceetus.com.cn