



SINGLE RJ45 CONNECTOR MODULE WITH 10/100 BASE-TX MAGNETICS

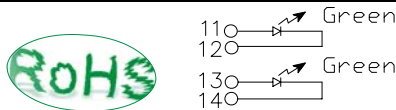
P/N:J1AV31ZIA

Feature

- Suitable for CAT 5 & 6 Fast Ethernet Cable or better UTP.
- Meets or exceeds IEEE 802.3 standard for 100Base-T.
- RoHS compliant.
- Recommended panel.



Part Numbe	Left Led	Right Led
3	Green	Green



Electrical Specifications @ 25°C

Part Number	Turns Ratio (±5%)		OCL (uH Min) @ 100KHz/0.1V with 8mA DC Bias	Insertion Loss (dB Max) 0.3-100MHz	Return Loss 100Ω±5Ω (dB TYP)				
	TX	RX			30MHz	40MHz	50MHz	60MHz	80MHz
J1AV31ZIA	1CT: 1CT	1CT: 1CT	350	-1.15	-16	-14	-13.5	-13	-10

Electrical Specifications @ 25°C

Part Number	Crosstalk (dB TYP)			Common Mode Rejection (dB TYP)			HI-POT (Vrms)
	0.3-30MHz	30-60MHz	60-100MHz	1-30MHz	30-60MHz	60-125MHz	@60MHz/1Min
J1AV31ZIA	-40	-35	-30	-30	-25	-20	1500

RJ45 Durability Testing Rating & Material Specification

Part Number	Durability	Mating Force	Shield	
			Material	Finish
J1AV31ZIA	750 Insertions	5 lbs./2.268 kgs.	Brass	10-20m inches Nickel over 10-20m inches Brass

RJ45 Material Specification

Part Number	Contact		Housing	
	Material	Plating Area	Material	Specification
J1AV31ZIA	Phosphor Brass	10-20m inches Nickel over selective gold plating 6 μ inches	Thermoplastic	UL 94 V-0

* Operating temperature range: 0°C to +70°C. Storage temperature range: -25°C to +125°C.

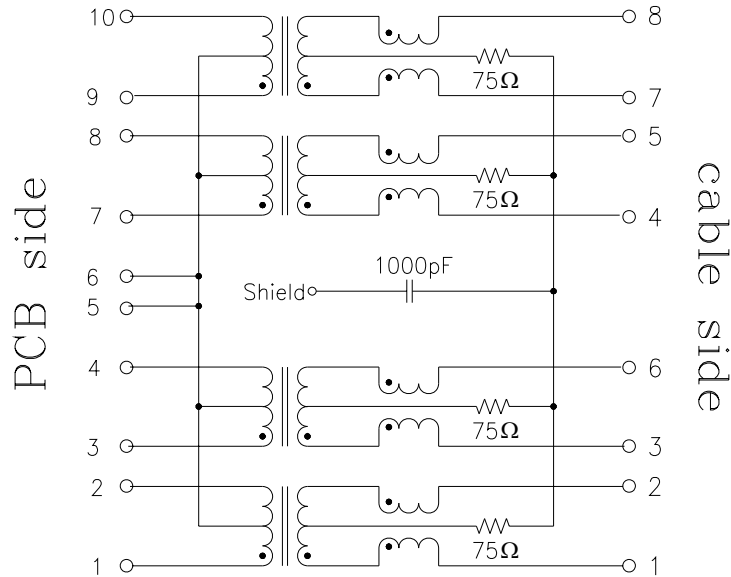
Tel:+86-20-81628973	Fax:+86-20-81628967
E-mail:sales@ceetus.com.cn	Website:www.ceetus.com.cn



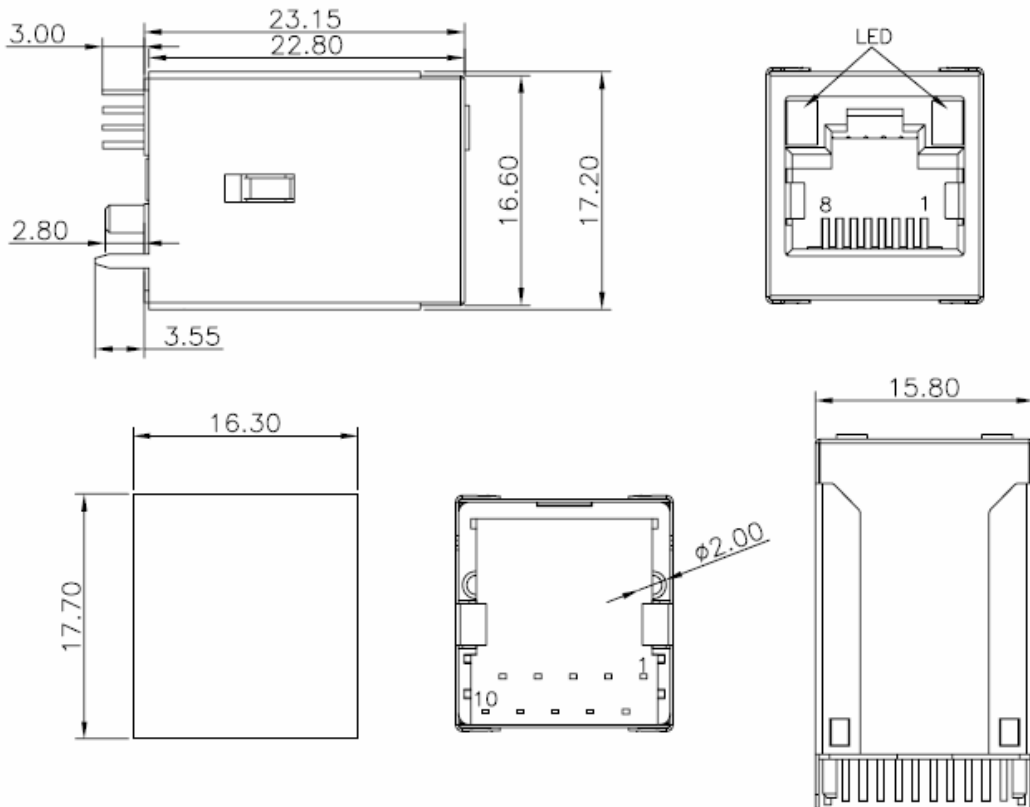
**SINGLE RJ45 CONNECTOR MODULE WITH 10/100 BASE-TX
MAGNETICS**

P/N:J1AV31ZIA

Schematic



Mechanical



Tolerance: ± 0.25 (0.010) unless specified otherwise.

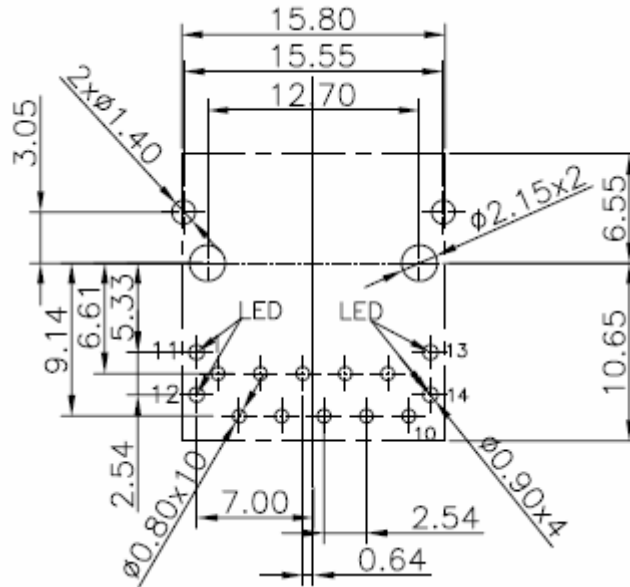
Tel: +86-20-81628973	Fax: +86-20-81628967
E-mail: sales@ceetus.com.cn	Website: www.ceetus.com.cn



SINGLE RJ45 CONNECTOR MODULE WITH 10/100 BASE-TX MAGNETICS

P/N:J1AV31ZIA

PCB Layout Mounting Hole (Top View)



NOTE:

Datasheet Change History:

V0	2007/Apr.	Datasheet Set Up

Tel:+86-20-81628973

Fax:+86-20-81628967

E-mail:sales@ceetus.com.cn

Website:www.ceetus.com.cn