



CETUS INTERNATIONAL LTD.

ADSL LINE TRANSFORMER

P/N: ACKCADSA

Page : 1/2

Feature

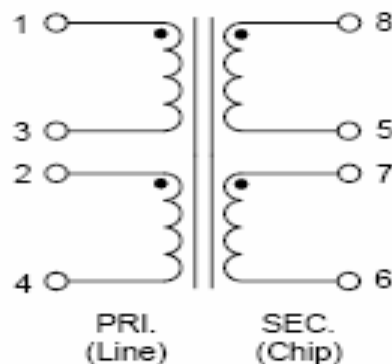
- Recommended for use with Globes pan. Chipset in Customer premise applications.
- RoHS compliant.

Electrical Specifications @ 25°C					
Part Number	Turns Ratio			Inductance (μH±6.5%)	Leakage Inductance (μH MAX)
	1-4 :8-6 (Short 2&3 , 5&7)	1-3:2-4	8-5:7-6		
ACKCADSA	0.95:1	1:1	1:1	750	10

Electrical Specifications @ 25°C				
Part Number	THD max.	DCR (Ω)		HI-POT (Vrms)
	@150KHz, -85dBmax, Line : IC	1-4 (Short2,3)	8-6 (Short5,7)	1-8 (Short e 2&3, 5&7)
ACKCADSA	-85	1.4	1.4	1875

Operating temperature range :0°C to +60°C. Storage temperature range: -25°C to +75°C.

Schematic



Tel:+86-20-81628973	Fax:+86-20-81628967
E-mail:sales@ceetus.com.cn	Website:www.ceetus.com.cn



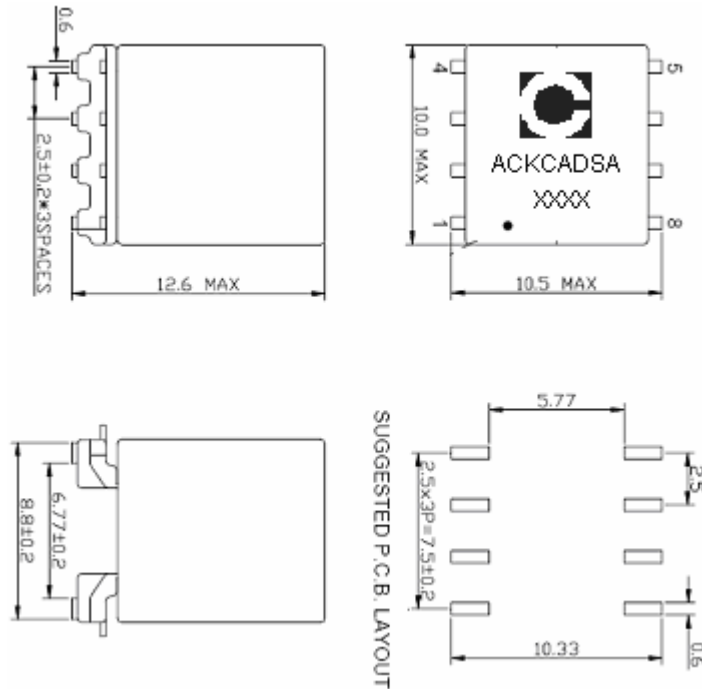
CETUS INTERNATIONAL LTD.

ADSL LINE TRANSFORMER

P/N: ACKCADSA

Page : 2/2

Mechanical



Tolerance: ± 0.25 (0.010) unless specified otherwise

NOTE:

Datasheet Change History:

V0	2007/JAN.	Datasheet Set Up

Tel:+86-20-81628973	Fax:+86-20-81628967
E-mail:sales@ceetus.com.cn	Website:www.ceetus.com.cn